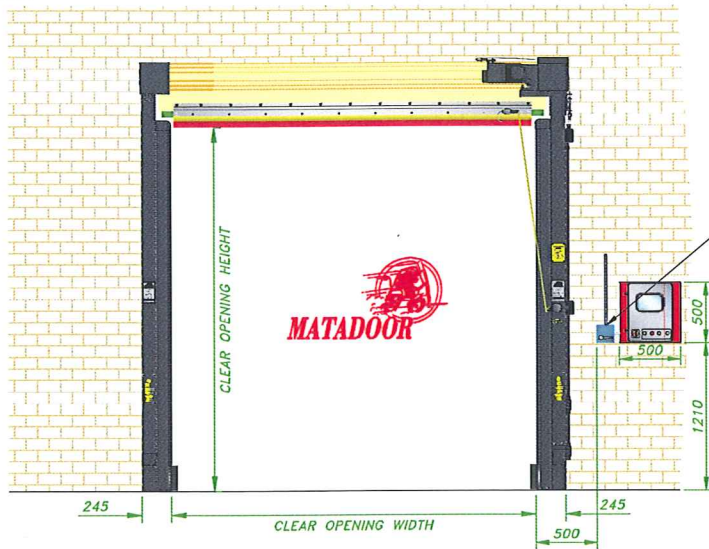
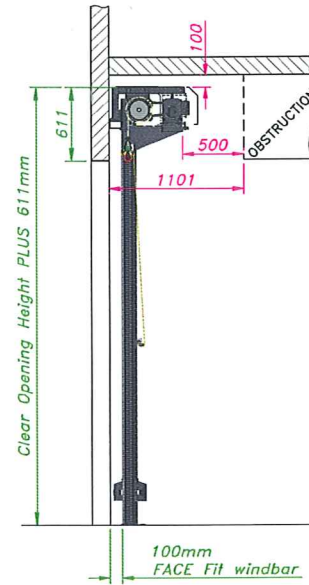


Terrain shown for reference only.

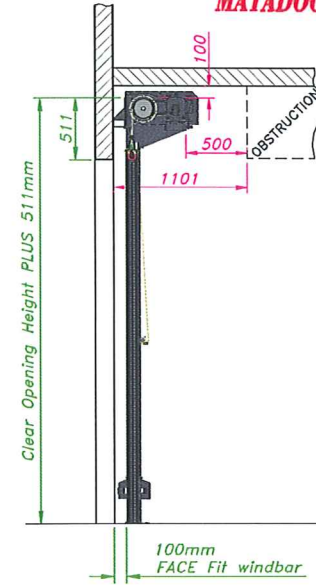
FRONT ELEVATION:
Matadoor detailed with Weatherhood
NO Windbars fitted.



CUSTOMER PREPARATION:
STD Power supply by customer:
Single phase, neutral & earth supply.
240V/1PH/50Hz.
Protected by a 16amp Type D MCB or similar.

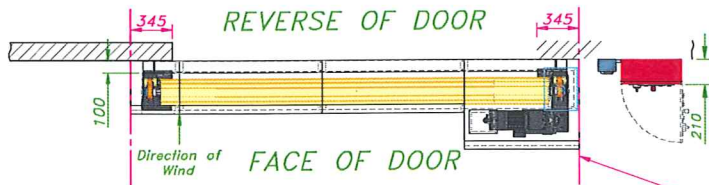


END ELEVATION 1:
Matadoor detailed with weatherhood
NO Windbars fitted.



END ELEVATION 2:
Matadoor detailed without weatherhood
NO Windbars Fitted.

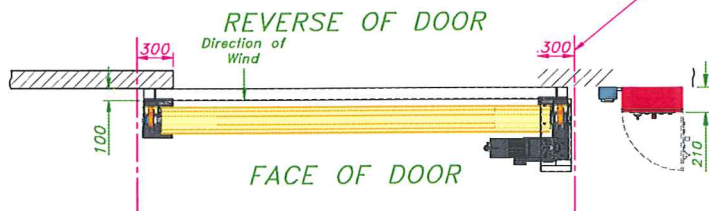
PLAN VIEW 1:
Matadoor detailed with Weatherhood.



IMPORTANT NOTE:
Union Industries design department
must be consulted in the event that
the clearance dimensions can not be
specifically adhered to.

SIDE CLEARANCE:
The side clearance dimensions shown
should be regarded as minimum values.
These are necessary for general maintenance
of drive and non-drive components.

PLAN VIEW 2:
Matadoor detailed without Weatherhood.



ISSUE 2: CP: 24/2/10: Isolator moved to the side of the control panel.

TITLE: Minimum Clearances required for a
MATADOOR
FOR REFERENCE ONLY

TEXT KEY	
 	CUSTOMER
 	INSTALLATION
 	IN-HOUSE
 	ELECTRICAL

UNION INDUSTRIES
LEEDS
ANGEL'S WING, WHITEHOUSE STREET,
HUNSLET, LEEDS, LS10 1AD.
Tel. (0113) 2448393

LOCATION: —
CUSTOMER: UNION INDUSTRIES
(Leeds)
DATE: 24 Feb 05
SCALE: NTS
DRAWN: C. Pace
APPROVED: P.J.H. Rodgers

THIS DOCUMENT IS THE COPYRIGHT
OF UNION INDUSTRIES LTD. IT MUST
NOT BE REPRODUCED OR DISCLOSED
TO ANY THIRD PARTY WITHOUT THE PRIOR
CONSENT OF UNION INDUSTRIES LIMITED.

DRAWING No.
MATCLEAR/2
ISSUE 2

PLEASE DIRECT ANY QUERIES REGARDING THIS DRAWING TO Mr. PETER RODGERS (ENGINEERING DIRECTOR)