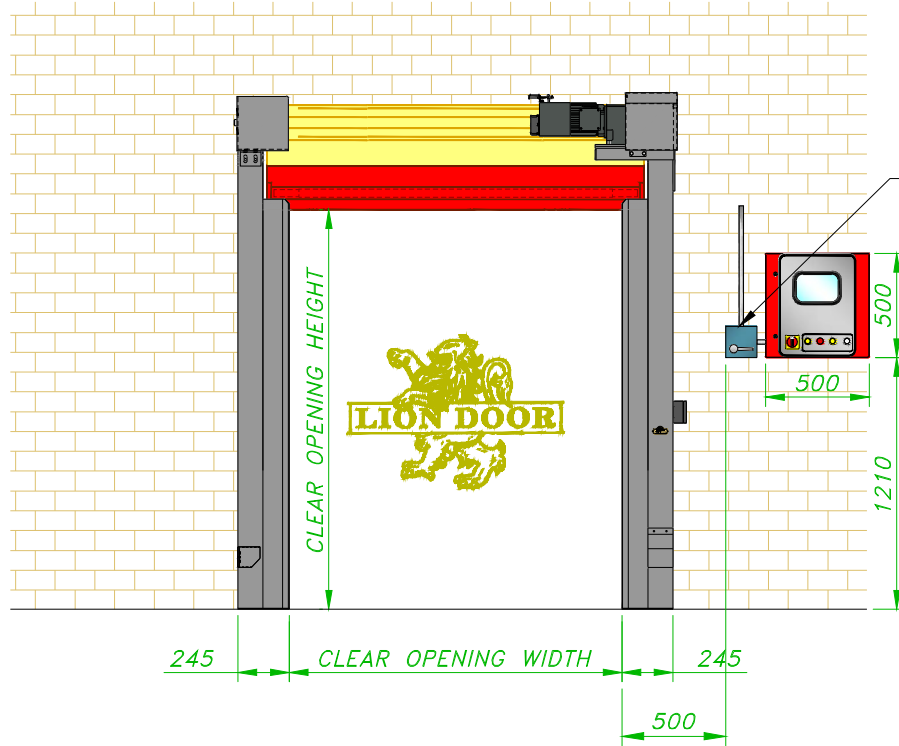
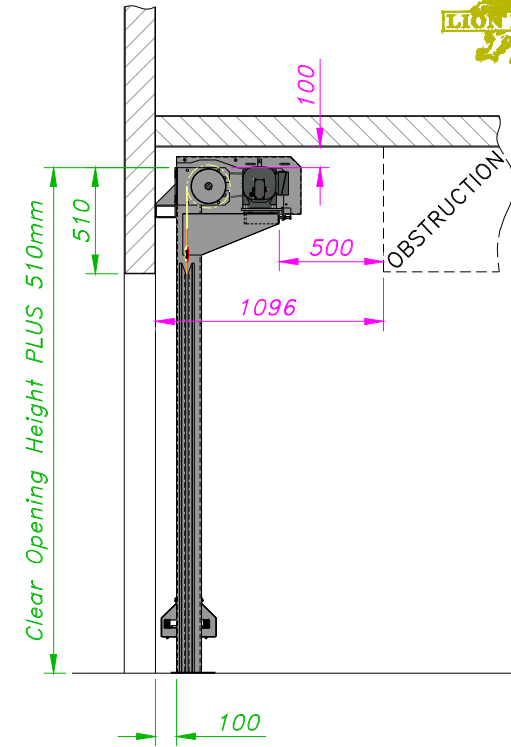


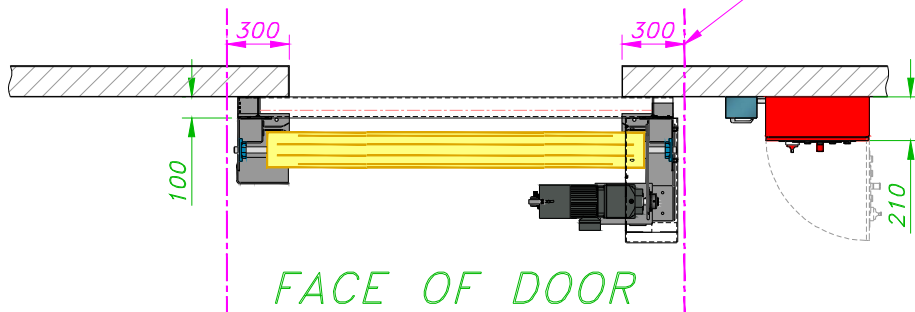
Terrain shown for reference only.



CUSTOMER PREPARATION:
 Standard Power supply:
 Single phase, neutral
 & earth supply.
 240V/1PH/50Hz.
 Protected by a 16amp
 Type D MCB or similar.



REVERSE OF DOOR



FACE OF DOOR

SIDE CLEARANCE:
 The side clearance dimensions
 shown should be regarded as
 minimum values. These are
 necessary general maintenance
 of drive and non-drive
 components.

IMPORTANT NOTE:
 Union Industries design
 department must be
 consulted in the event
 that the clearance
 dimensions can not be
 specifically adhered to.

ISSUE 3: CP: 02/12/10: Power supply changed to 'Single phase'.
 Drawing changed to Lionclear/3
 ISSUE 2: CP: 24/2/10: Isolator moved to the side of the control panel.

TITLE: Minimum Clearances required for a LIONDOOR with no windbars FOR REFERENCE ONLY	
LOCATION: -	
CUSTOMER: UNION INDUSTRIES (Leeds)	
DATE: 11 Dec 03	DRAWN: AAH
SCALE: NTS	APPROVED: P.J.H. Rodgers
DRAWING No.	
LIONCLEAR/3	
ISSUE 1	



ANGEL'S WING, WHITEHOUSE STREET,
 HUNSLET, LEEDS, LS10 1AD.
 Tel. (0113) 2448393

THIS DOCUMENT IS THE COPYRIGHT
 OF UNION INDUSTRIES LTD. IT MUST
 NOT BE REPRODUCED OR DISCLOSED
 TO ANY THIRD PARTY WITHOUT THE PRIOR
 CONSENT OF UNION INDUSTRIES LIMITED.

FIRST ANGLE PROJECTION